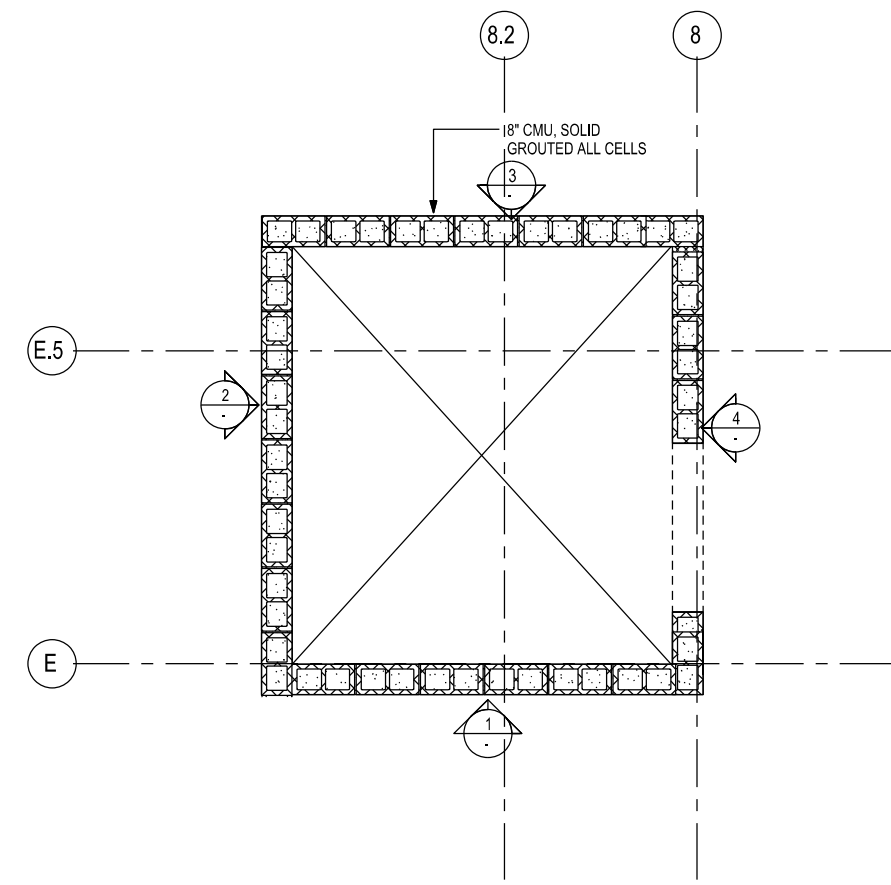
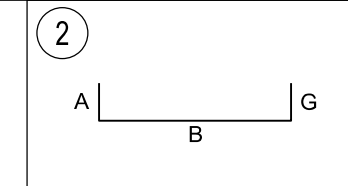
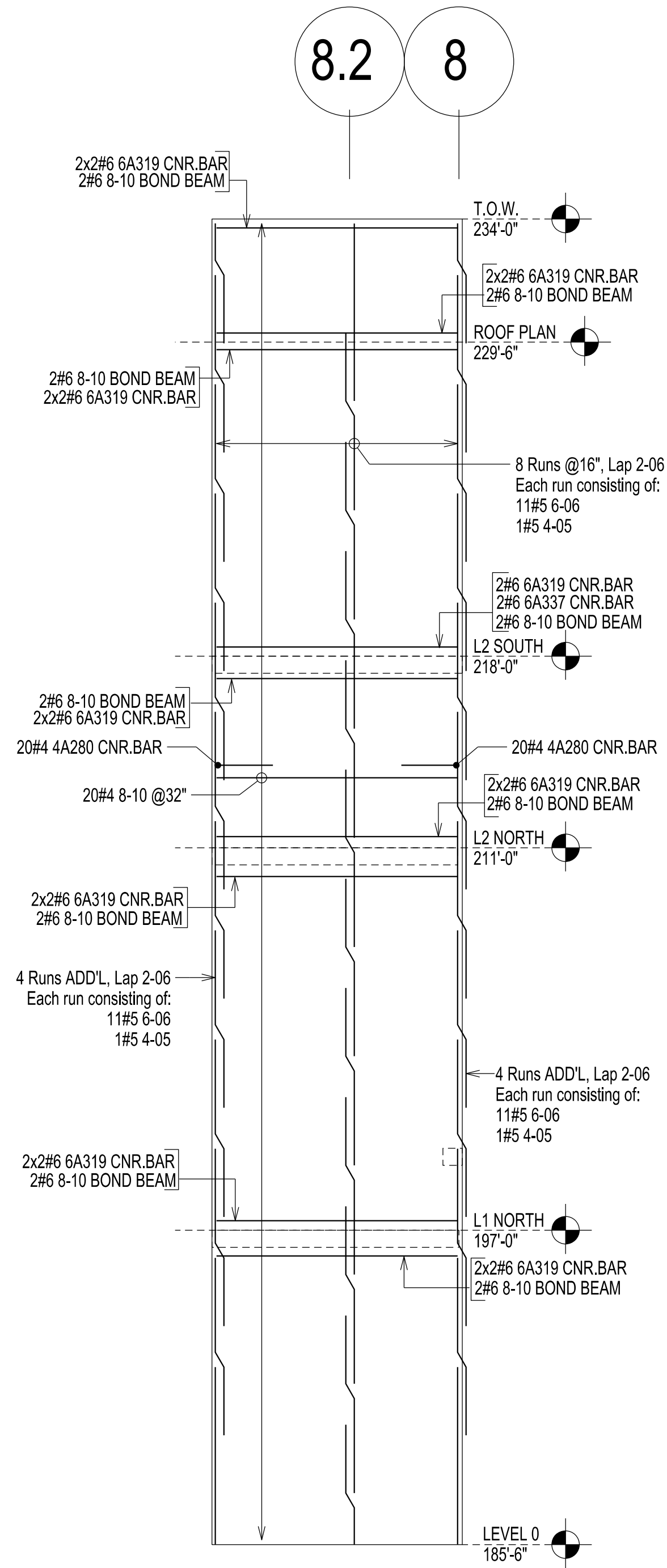


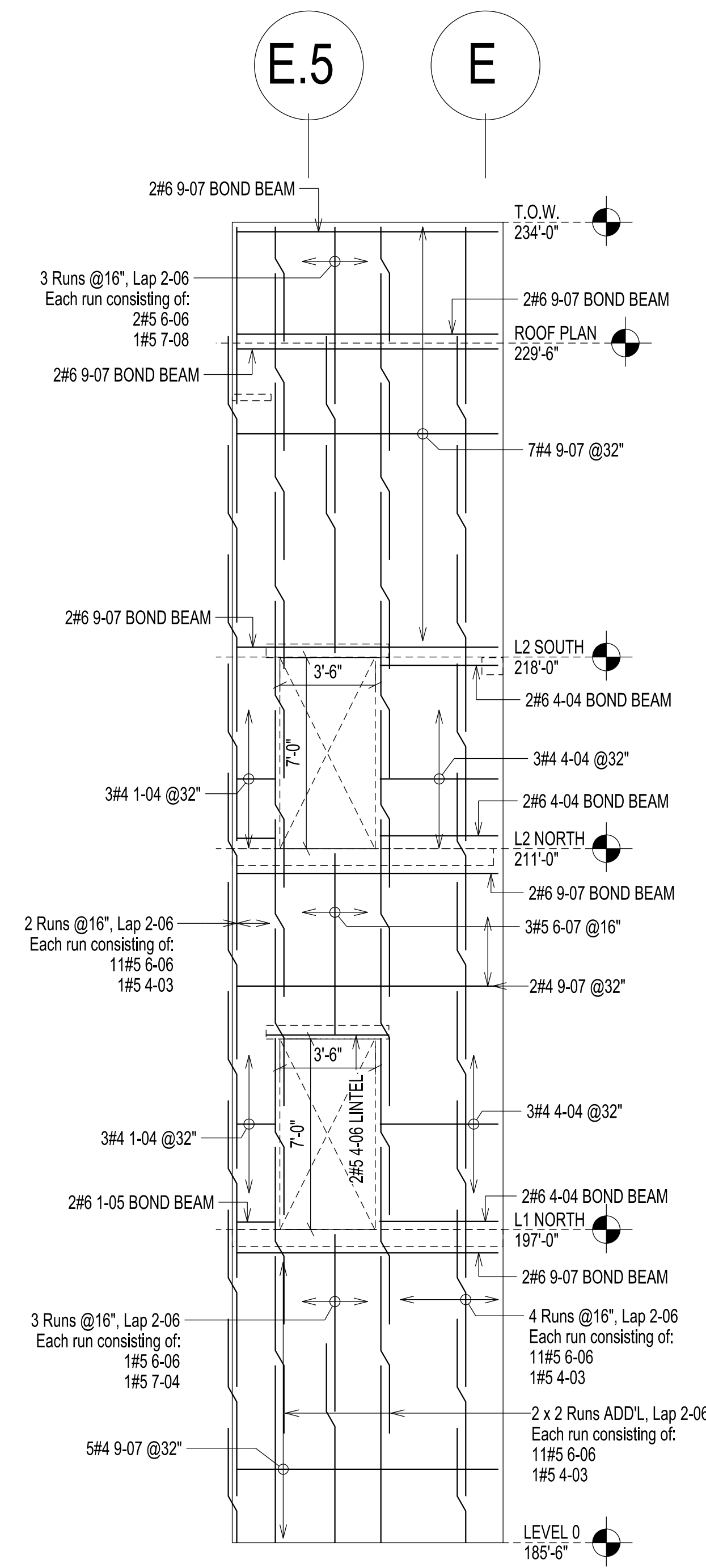
SI	ZE	EP	BAR MARK	V	BND TYP	CD	A	B	C	D	BENDING DIMENSIONS						
											E	F/R	G	H	J	K	O
6			6A319		2		3-10	3-10									
6			6A337		2		1-04	3-10									
6			6A338		2		1-05	3-10									
4			4A280		2		2-00	2-00									



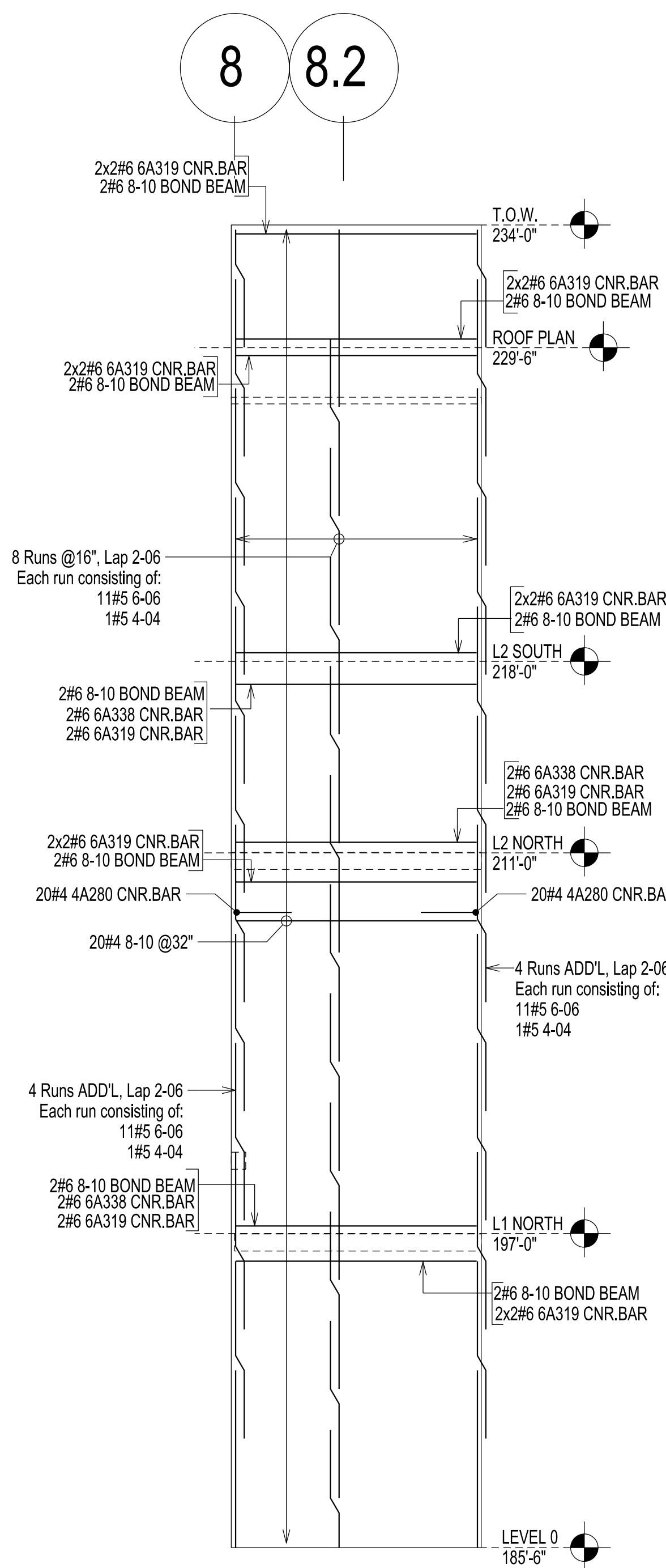
E1 CORE WALL PLAN AT ELEVATOR 1
R112



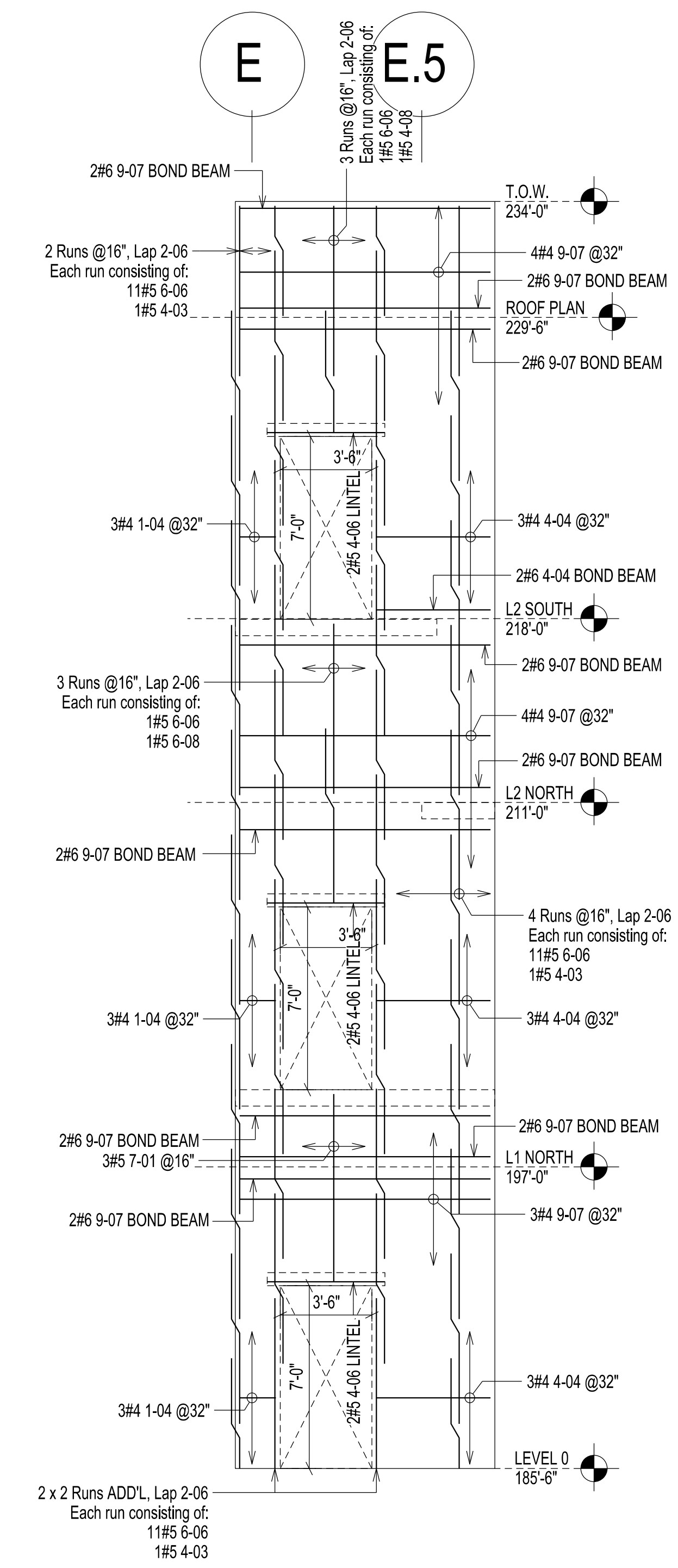
E1 CORE WALL ELEVATION
R112



E2 CORE WALL ELEVATION
R112



E3 CORE WALL ELEVATION
R112



E4 CORE WALL ELEVATION
R112